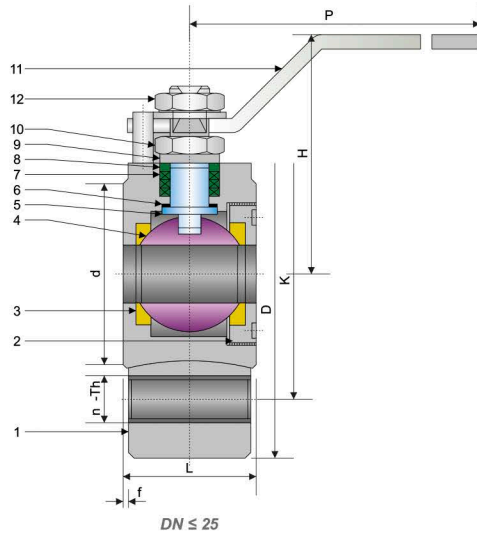
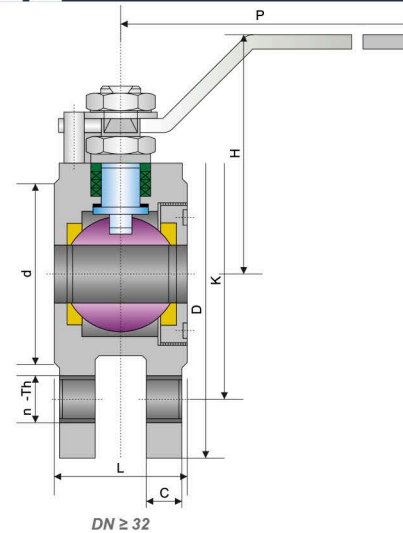


# BALL



DN ≤ 25



DN ≥ 32

**SPECIFICATIONS / Especificaciones**

| CONNECTION END / Extremos | DRIVING MANNER / Manejo | TEST & CHECK / Prueba y Verificación | SIZES / Rango |
|---------------------------|-------------------------|--------------------------------------|---------------|
| <b>FLANGED / Bridada</b>  |                         |                                      |               |
| ANSI B16.5 JB/T79         | <b>Lever / Palanca</b>  | API 598                              | 3/8" - 8"     |

**MAIN PARTS MATERIAL / Material de las piezas principales**

| Nº | PART NAME / Nombre de pieza        | STAINLESS STEEL / Acero Inoxidable |                  |
|----|------------------------------------|------------------------------------|------------------|
| 1  | Body / Cuerpo                      | CF8                                | A351 - CF8       |
| 2  | Seat ring / Asiento                | 0Cr18Ni9                           | A276 - 304       |
| 3  | Sealing ring / Junta tórica        | NYLON - PTFE - RTFE                |                  |
| 4  | Ball / Bola                        | 0Cr18Ni9 + ENP                     | A276 - 304 + ENP |
| 5  | Stem / Vástago                     | 0Cr18Ni9                           | A276 - 304       |
| 6  | Gasket / Junta                     | PTFE                               |                  |
| 7  | Packing / Empaquetadura            | Graphite / Grafito                 |                  |
| 8  | Stuffing cover / Tapa prensaestopa | 0Cr18Ni9                           | A276 - 304       |
| 9  | Spring lock washer / Arandela      | 0Cr18Ni9                           | A276 - 304       |
| 10 | Lock nut / Tuerca bloqueo          | 0Cr18Ni9                           | A276 - 304       |
| 11 | Lever / Palanca                    | 0Cr18Ni9                           | A276 - 304       |
| 12 | Pin / Pasador                      | 0Cr18Ni9                           | A276 - 304       |

**MAIN EXTERNAL DIMENSIONS / Dimensiones externas principales**

CLASS 150 - PN1.0 ~ 2.5 Mpa (NPS 3/8" - 8")

| DN (mm.) | NPS (in.) | L   | PN 1.6MPa |     |     |    | PN 2.5MPa |     |     |     | PN 4.0MPa |        |     |     | f   | H  | P     |   |     |        |
|----------|-----------|-----|-----------|-----|-----|----|-----------|-----|-----|-----|-----------|--------|-----|-----|-----|----|-------|---|-----|--------|
|          |           |     | D         | K   | d   | C  | n - Th    | D   | K   | d   | C         | n - Th | D   | K   |     |    |       | d | C   | n - Th |
| 10       | 3/8"      | 32  | 85        | 60  | 42  | -  | 4-M12     | 85  | 60  | 42  | -         | 4-M12  | 85  | 60  | 42  | -  | 4-M12 | 2 | 80  | 150    |
| 15       | 1/2"      | 32  | 90        | 65  | 47  | -  | 4-M12     | 90  | 65  | 47  | -         | 4-M12  | 90  | 65  | 47  | -  | 4-M12 | 2 | 80  | 150    |
| 20       | 3/4"      | 38  | 100       | 75  | 58  | -  | 4-M12     | 100 | 75  | 58  | -         | 4-M12  | 100 | 75  | 58  | -  | 4-M12 | 2 | 85  | 150    |
| 25       | 1"        | 42  | 110       | 85  | 68  | -  | 4-M12     | 110 | 85  | 68  | -         | 4-M12  | 110 | 85  | 68  | -  | 4-M12 | 2 | 95  | 170    |
| 32       | 1 1/4"    | 50  | 130       | 100 | 78  | 16 | 4-M16     | 130 | 100 | 78  | 16        | 4-M16  | 130 | 100 | 78  | 18 | 4-M16 | 2 | 100 | 180    |
| 40       | 1 1/2"    | 60  | 140       | 110 | 88  | 16 | 4-M16     | 140 | 110 | 88  | 16        | 4-M16  | 140 | 110 | 88  | 18 | 4-M16 | 2 | 105 | 210    |
| 50       | 2"        | 70  | 155       | 125 | 102 | 18 | 4-M16     | 155 | 125 | 102 | 18        | 4-M16  | 155 | 125 | 102 | 20 | 4-M16 | 2 | 115 | 230    |
| 65       | 2 1/2"    | 94  | 180       | 145 | 125 | 20 | 4-M16     | 180 | 145 | 125 | 22        | 8-M16  | 180 | 145 | 125 | 22 | 8-M16 | 2 | 130 | 280    |
| 80       | 3"        | 118 | 195       | 160 | 138 | 20 | 8-M16     | 195 | 160 | 138 | 24        | 8-M16  | 195 | 160 | 138 | 24 | 8-M16 | 2 | 145 | 300    |
| 100      | 4"        | 140 | 215       | 180 | 160 | 22 | 8-M16     | 230 | 190 | 160 | 24        | 8-M20  | 230 | 190 | 160 | 24 | 8-M20 | 2 | 175 | 400    |
| 125      | 5"        | 195 | 245       | 210 | 188 | 22 | 8-M16     | 270 | 220 | 188 | 26        | 8-M24  | 270 | 220 | 188 | 26 | 8-M24 | 2 | 190 | 500    |
| 150      | 6"        | 225 | 280       | 240 | 212 | 24 | 8-M20     | 300 | 250 | 212 | 28        | 8-M24  | 300 | 250 | 212 | 28 | 8-M24 | 2 | 220 | 600    |
| 200      | 8"        | 275 | 335       | 295 | 266 | 24 | 8-M22     | 360 | 310 | 274 | 30        | 8-M24  | 375 | 320 | 285 | 34 | 8-M27 | 2 | 260 | 700    |

## Notes / Notas:

- **Approximate weights / Pesos aproximados.**
- **Larger diameters on request / Diámetros superiores bajo petición.**
- **Other material on request / Otros materiales bajo petición.**

UNITS / Unidades mm